

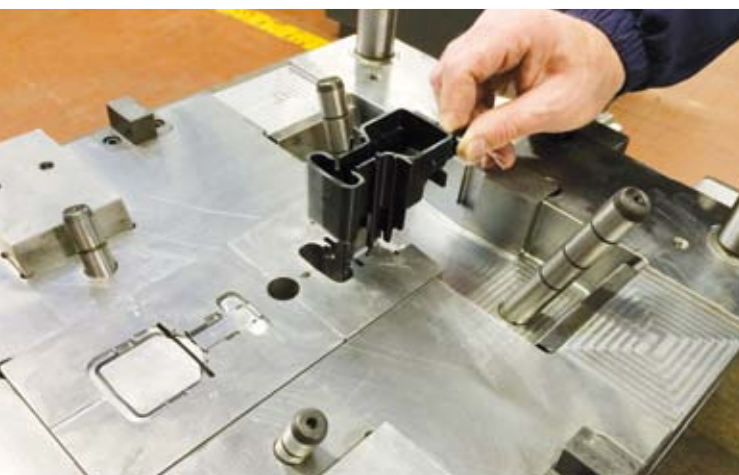
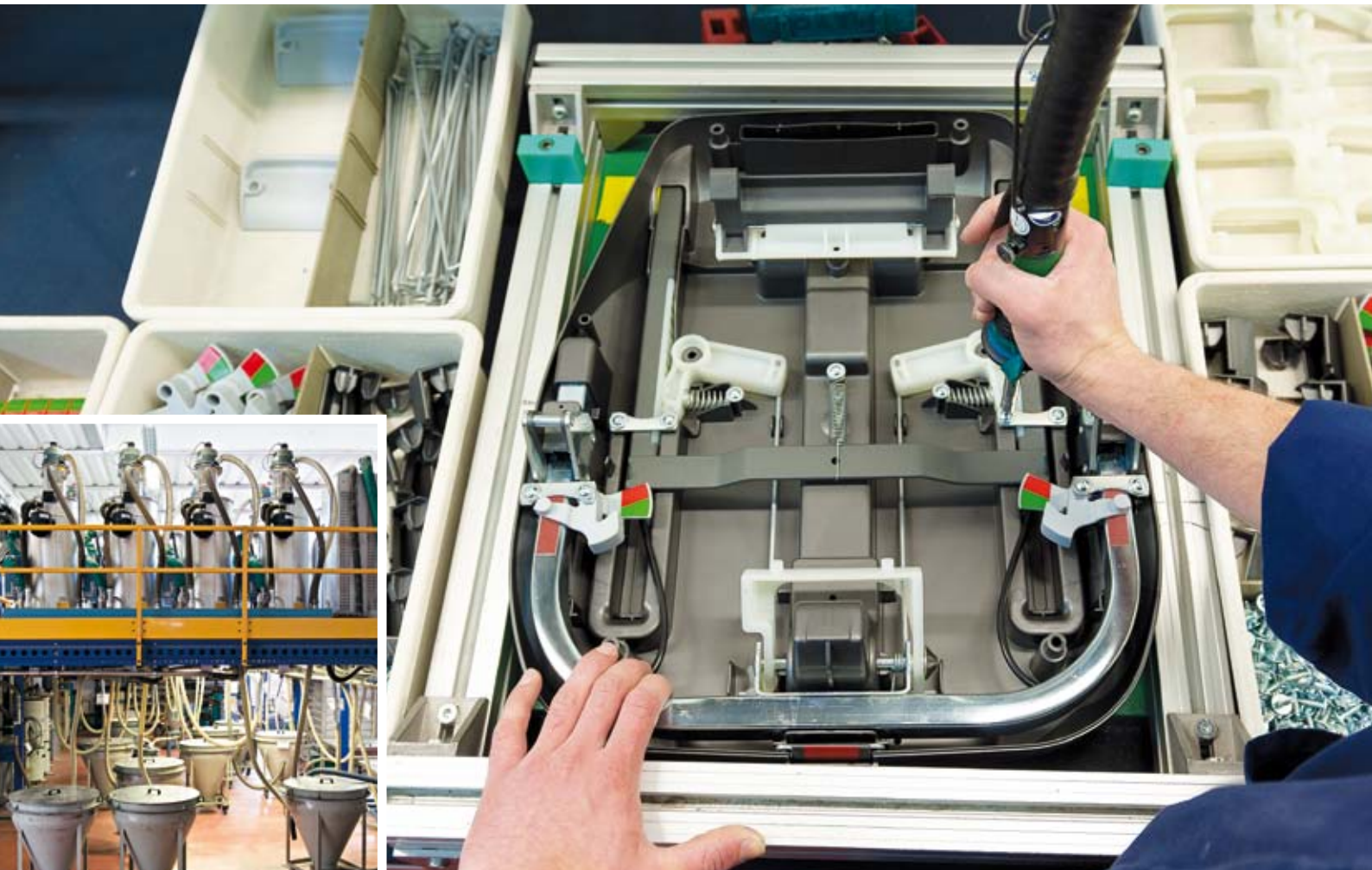
Our contribution to your success



FATTOREPLAST



www.fattoreplast.it



Customer idea
(sketch, drawing, prototype, 3D rendering)

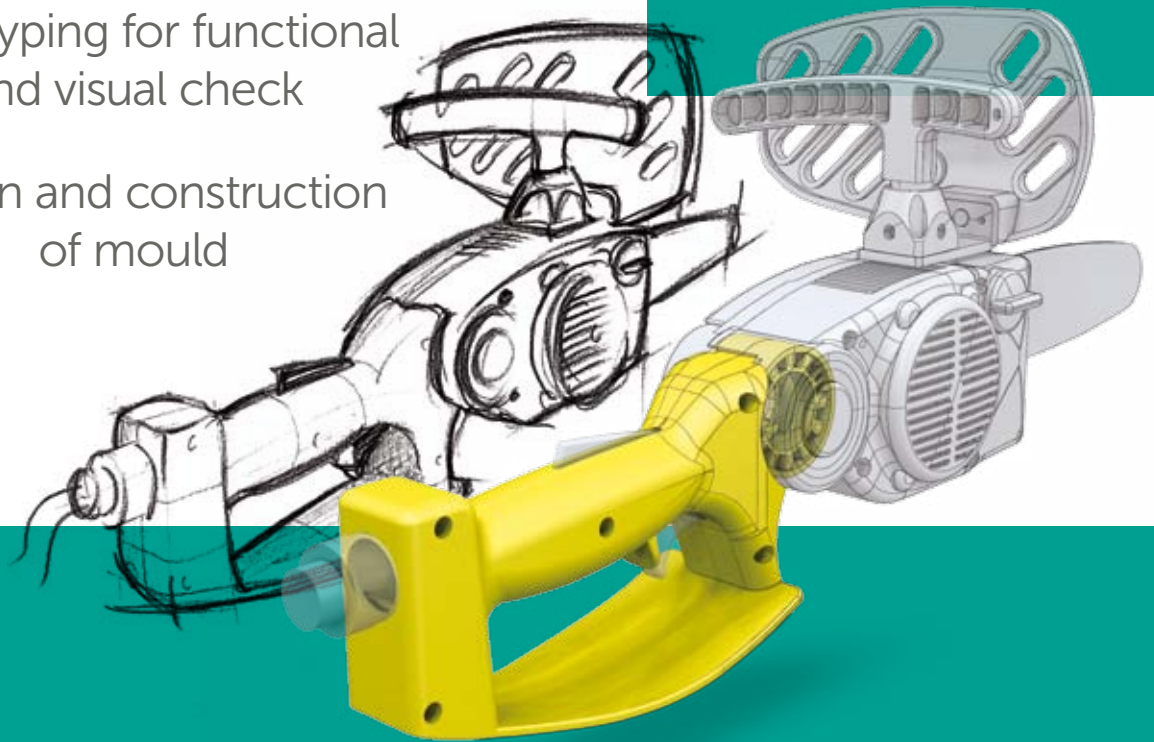
Feasibility analysis

Materials research

Product industrialization

Prototyping for functional
and visual check

Design and construction
of mould



Work flow

Injection moulding

- Two-colour
- Two-component
- Automatic with inserts
- 30 automated and robotized injection moulding machines

Blow moulding

- Blow moulding machines, operating in a pressurized filtered environment with sterilized air, for the production of plastic containers

Additional operations

- Assembly
- Ultrasonic welding
- Finishing on fully automated 5-axis machining centres
- Hot foil stamping



Company

40 years
Know-how and experience



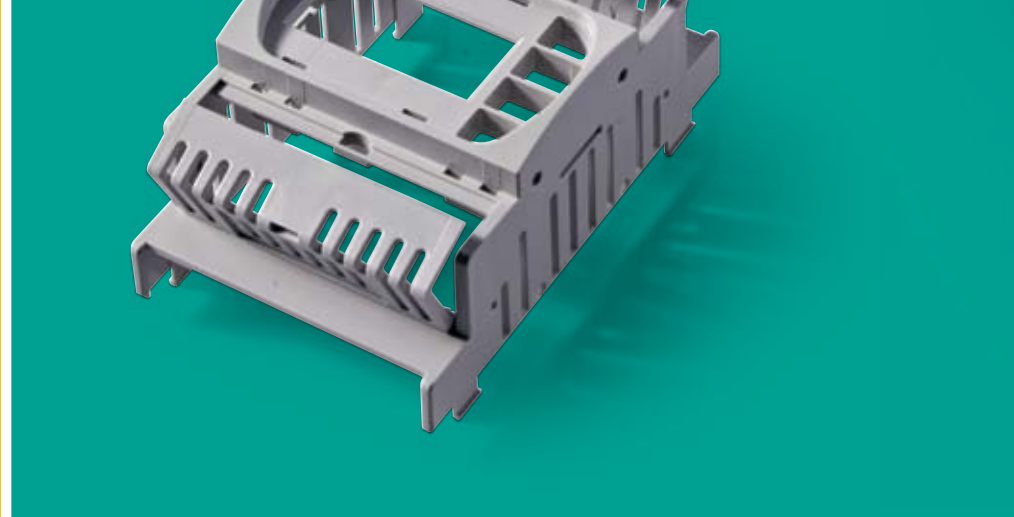
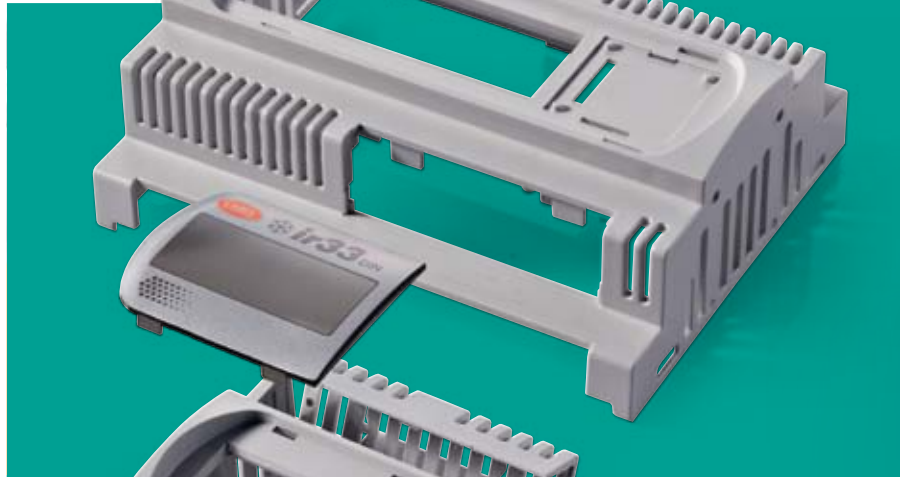
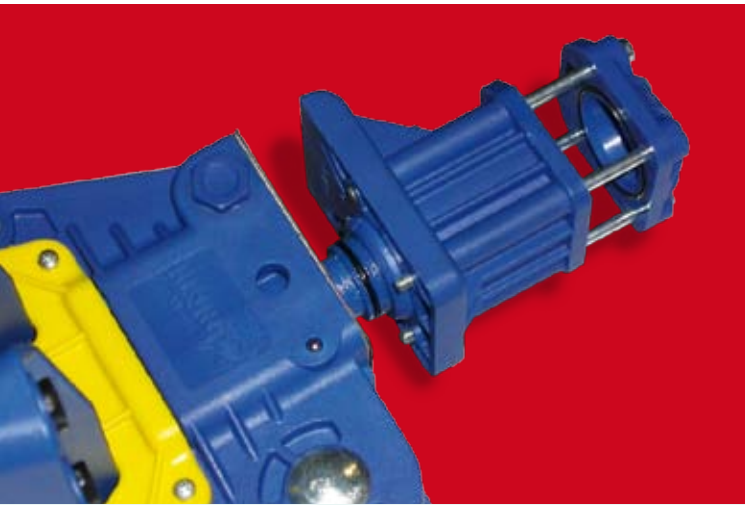
20.000 m²
(11.000 under cover)

50
employees

Flexibility

Production of both
small quantities (100 pieces),
and high volumes (millions of pieces)





Precision Components

Home automation

Technical moulding

Medical

Food Packaging

Furniture

Lighting

Sectors



More than 200 types of plastic processed:
common (**PP, ABS, PE, PA, PS**)
engineering (**PEEK, PC, PPS, PPSU**)



Additive materials
with various fillers:
mineral, glass fibre,
carbon fibre, etc.



Metal Replacement



FATTOREPLAST

FATTORE PLAST S.R.L.

Via Puotti, 35

35010 Villanova di Camposampiero (PD) ITALIA

Tel. +39 049.922.0090 - Fax +39 049.922.1181

info@fattoreplast.it

www.fattoreplast.it